

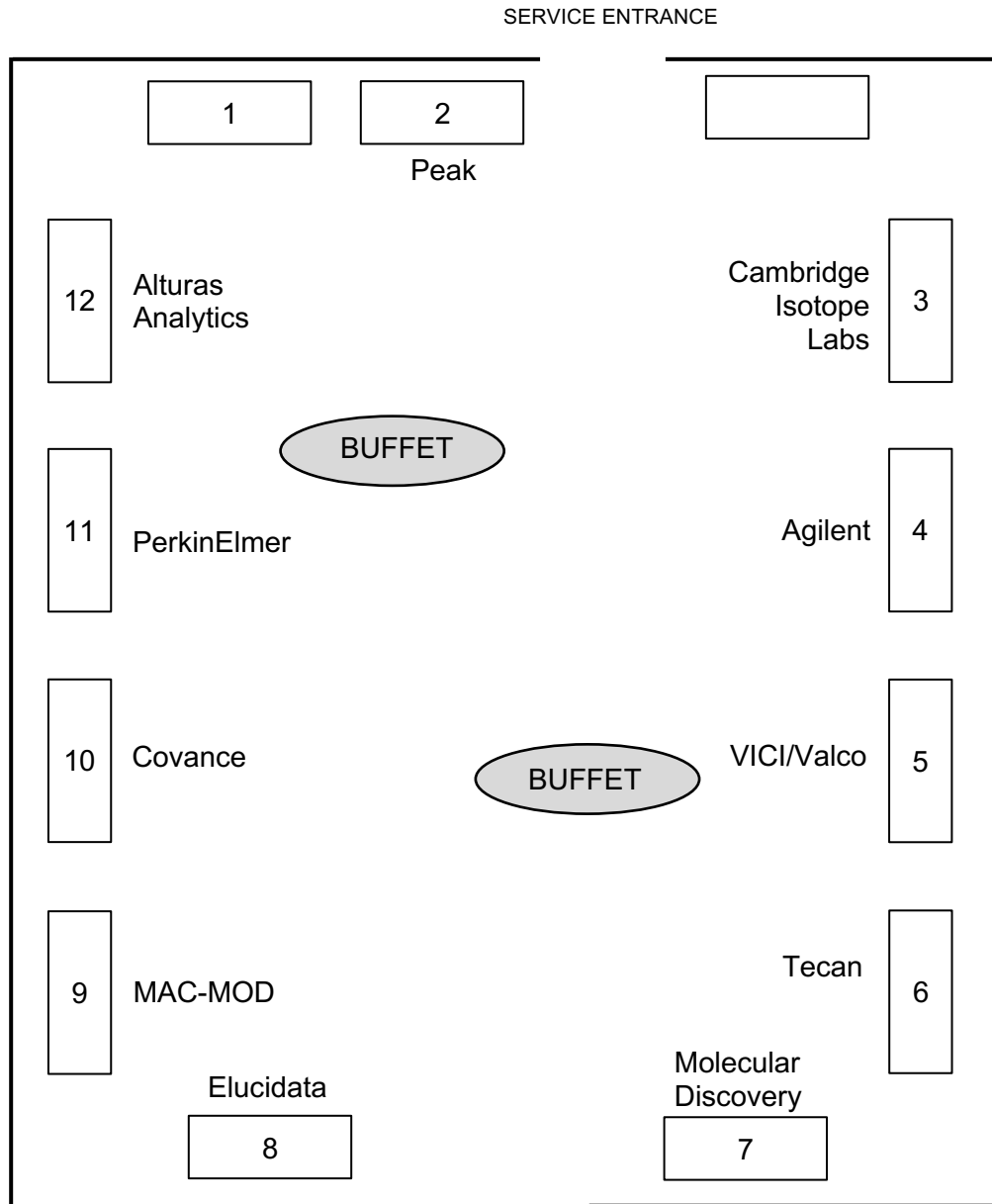
PARTICIPATING COMPANIES

Company	Table No.
Adaptas Solutions	14
Agilent Technologies	4
Altasciences	23
Alturas Analytics, Inc.	12
Chinese American Chromatography Association	20
Cambridge Isotope Labs	3
Covance, Inc.	10
Elucidata	8
IMCS, Inc.	15
IonSense	19
MAC-MOD Analytical	9
Molecular Discovery	7
Myriad RBM	18
New Objective, Inc.	24
Peak Scientific	2
PerkinElmer	11
Prolab Instruments GmbH	16
SCIEX	13
Shimadzu Scientific Instruments	25
Tasso, Inc.	17
Tecan	6
Thermo Fisher Scientific	22
VICI/Valco Instruments Co.	5

Tables 1 - 12 - University I

Tables 13 - 25 - University Lobby

UNIVERSITY I BALLROOM



TO LOBBY

UNIVERSITY BALLROOM LOBBY

